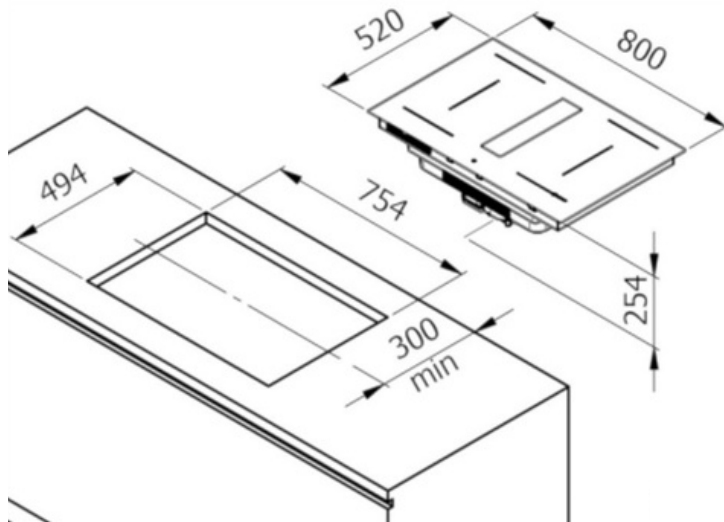


Installation manual for **Ztove 80 cm w. downdraft**

Send this manual to your installer, electrician or kitchen company. Read the manual and make any necessary reservations.

Installation must be carried out by an authorised professional.



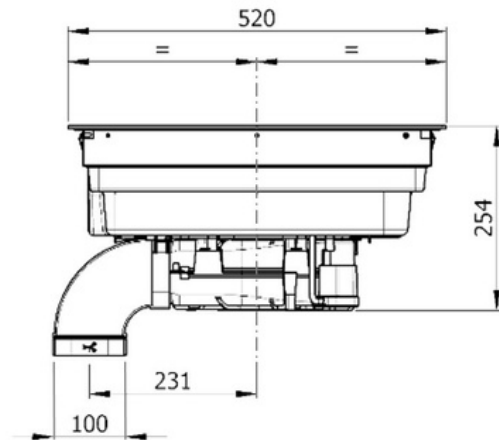
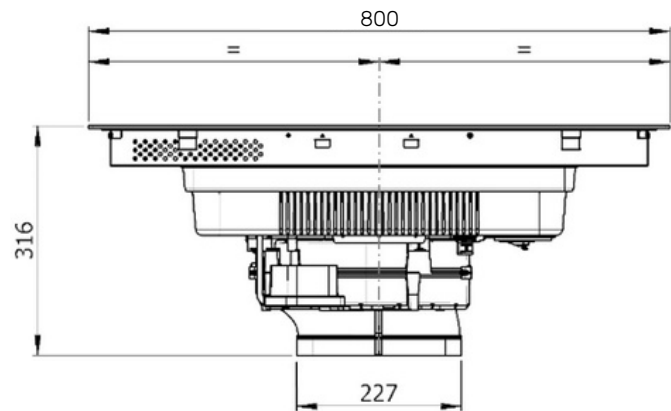


The worktop must be a maximum of 40 mm thick to ensure sufficient exhaust air.

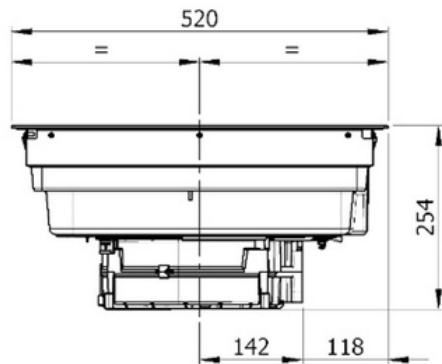
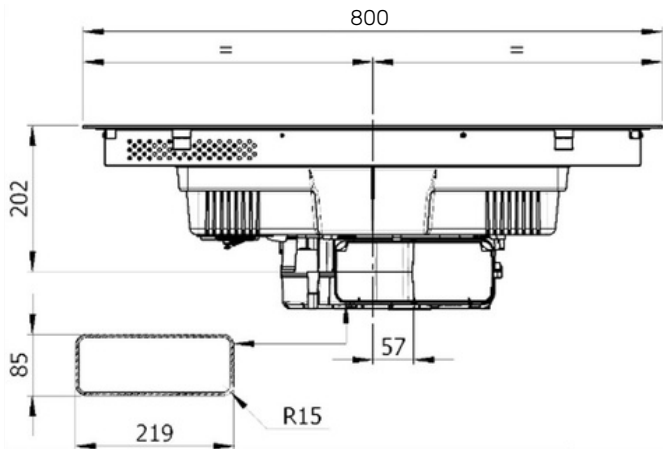
The worktop in which the cooktop is installed must be able to withstand loads of approx. 60 kg.

Otherwise, a suitable substructure must be used.

All measurements are in mm



All measurements
are in mm



All measurements
are in mm