

Installation manual for **Ztove 60 cm**

Send this manual to your installer, electrician or kitchen company. Read the manual and make any necessary reservations.

Installation must be carried out by an authorised professional.



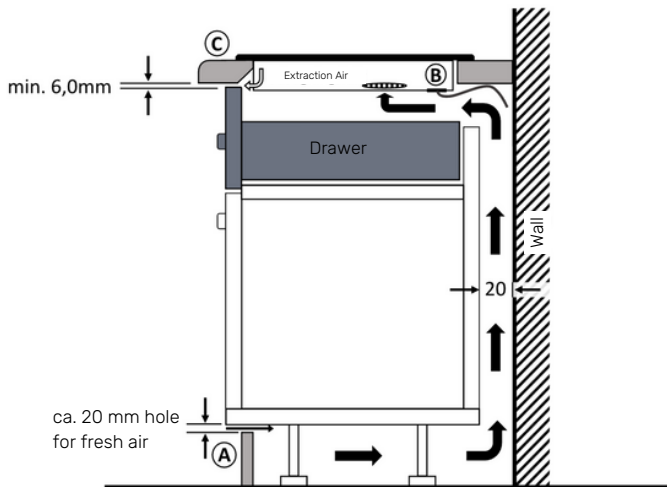
Side view for mounting above a drawer

A: There must be sufficient air circulation.

Fresh air must be supplied via the base.

B: Please note that the power cable protrudes approx. 15 mm into the junction box area.

C: The worktop must be a maximum of 40 mm thick to ensure sufficient exhaust air.



All measurements
are in mm

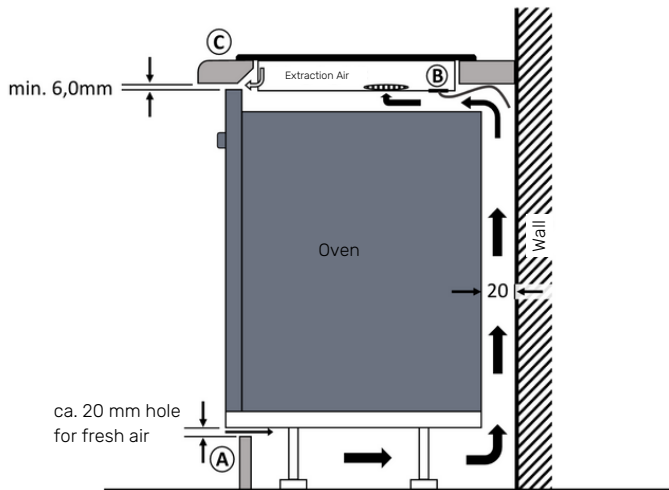
Side view for mounting above an oven

A: There must be sufficient air circulation.

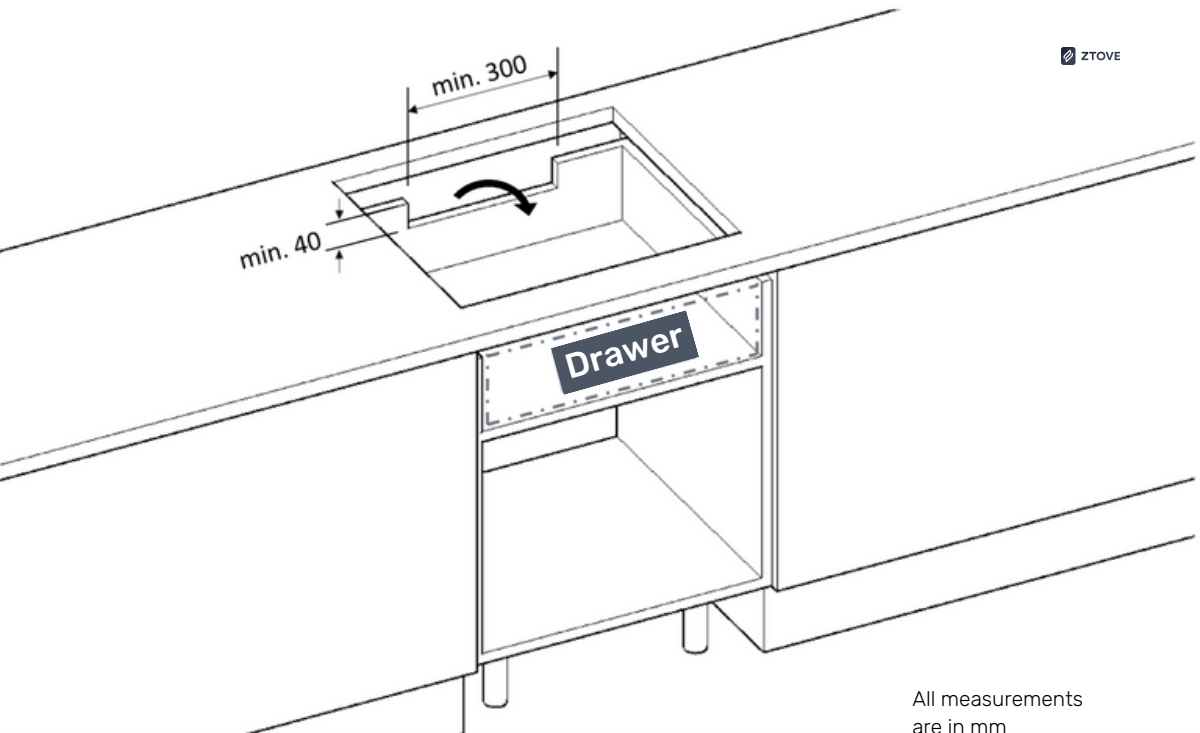
Fresh air must be supplied via the base.

B: Please note that the power cable protrudes approx. 15 mm into the junction box area.

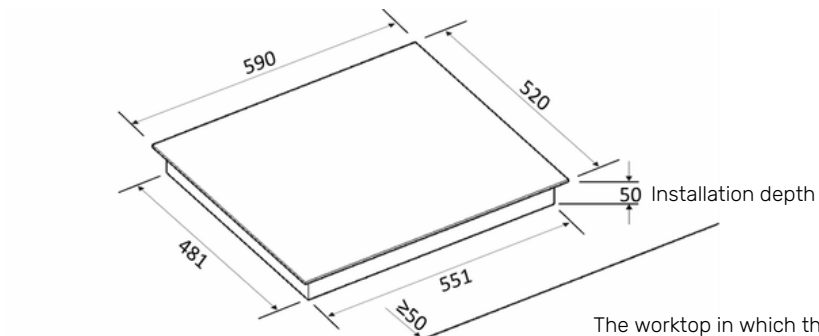
C: The worktop must be a maximum of 40 mm thick to ensure sufficient exhaust air.



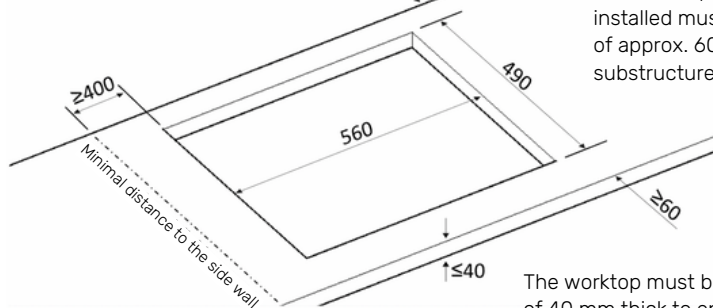
All measurements
are in mm



All measurements
are in mm



The worktop in which the cooktop is installed must be able to withstand loads of approx. 60 kg. Otherwise, a suitable substructure must be used.



The worktop must be a maximum of 40 mm thick to ensure sufficient exhaust air.

All measurements are in mm