



Installation manual for Ztove 80 Downdraft

ZIGD80401

Questions? Reach out to info@ztove.com.

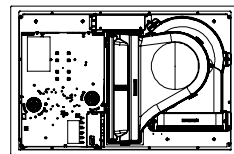
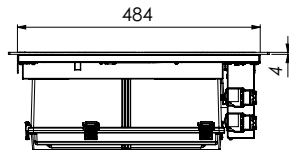
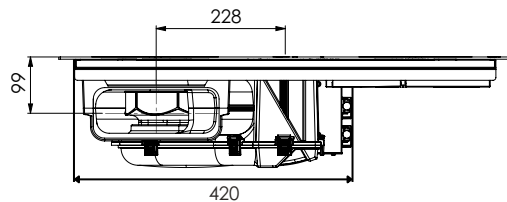
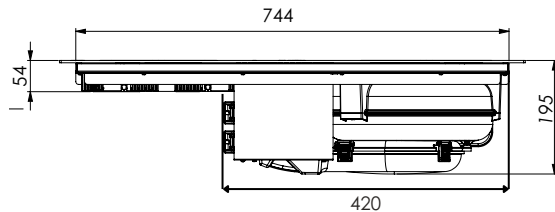
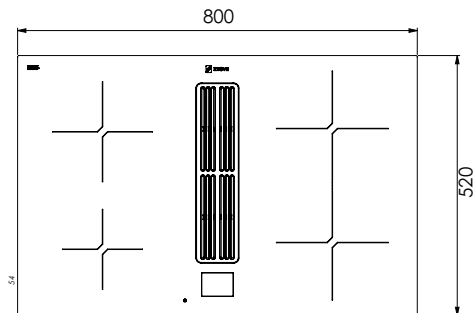
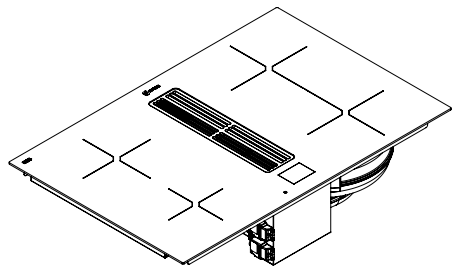
Table of contents

| | |
|-------------------------------------|-------|
| Hob dimensions..... | 3 |
| Cutout dimensions | 4 |
| Installation methods..... | 5 |
| Recirculation without ducting..... | 6-9 |
| High performance recirculation..... | 10-13 |
| Extraction..... | 14-17 |

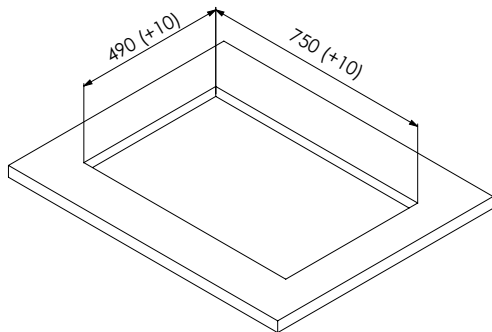
Send this manual to your installer, electrician or kitchen company.
Read the manual and make any necessary reservations.
Electrical installation must be carried out by an authorised professional.



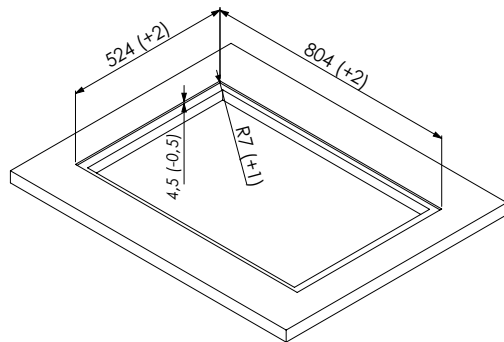
Hob dimensions (mm)



Cutout dimensions (mm, tolerance in brackets)



Standard mounting



Flush mounting

There are three ways to install the Ztove 80 Downdraft

| | |
|---|-----------|
| Recirculation without ducting | 6 |
| How it works..... | 7 |
| How to install..... | 8 |
| Using the filter..... | 9 |
| | |
| High performance recirculation | 10 |
| How it works | 11 |
| Ztove recirculation performance kit..... | 12 |
| Installation details..... | 13 |
| | |
| Extraction | 14 |
| How extraction works..... | 15 |
| Selection of ducts..... | 16 |
| Exterior grilles..... | 17 |

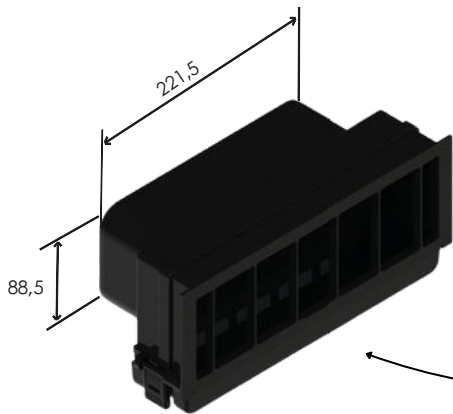


Recirculation without ducting

The simplest and most cost-efficient option.

Recirculation without ducting (1/3)

The included pleated carbon filter mounts directly to the hob. If the filter is close to reaching the back wall, add a rear cutout to improve airflow and prevent overheating.

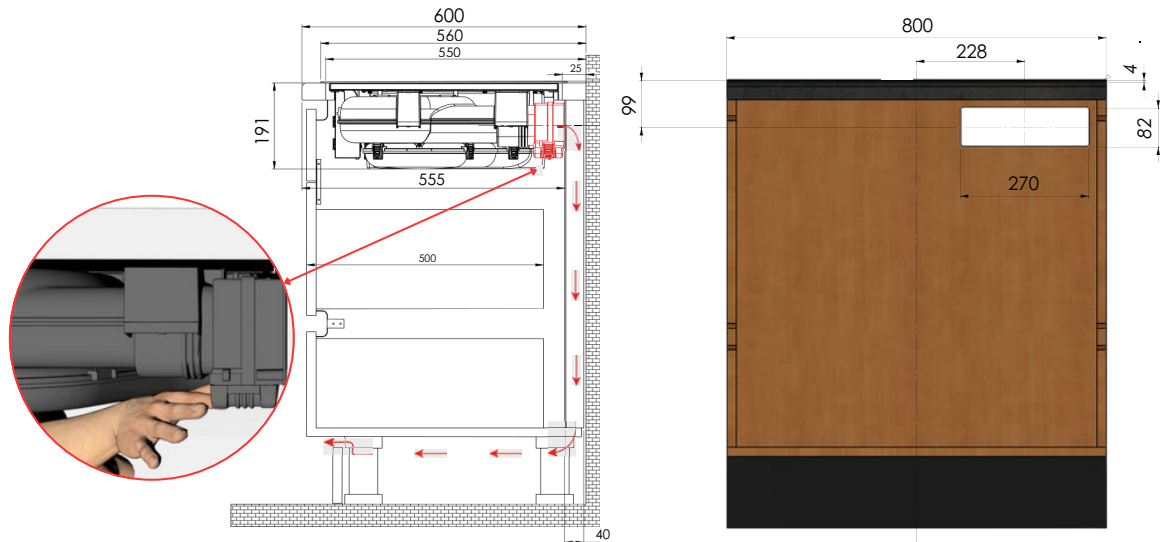


**Pleated carbon filter
included with the hob.**

How to install ^(2/3)

Cut a 270 × 82 mm hole at the rear of the cabinet, aligned with the hob outlet. Push the filter up against the cutout by hand.

Cutout dimensions top mounted installation



Using the filter [3/3]

The carbon filter can easily be cleaned and regenerated. Do this every 2 months to keep your hob performing at its best.



Housing



Replaceable filter



Cover

How to regenerate

1. Open the locking clips and remove the cover.
2. Clean in the dishwasher or by hand.
3. Dry the filter in an oven for 60 minutes at 60°.

Now insert the pleated filter with the cover into the housing and close the locking clips.

When to replace the filter

The filter needs to be replaced around every 24 months depending on usage



High performance recirculation

The highest-performing recirculation option. Optimized airflow, better odor removal, and minimal maintenance.

High performance recirculation (1/3)

Get the [Recirculation Performance Kit](#) for the best performance and experience. This solution is high performance, optimizes airflow, last up to 5 years and requires no maintenance.



Maximum efficiency

High carbon density and large surface area for superior odor removal.

Optimized airflow

More space improves suction and overall performance.

Longer lifespan

Up to 5 years lifespan – far beyond standard filters.

Ztove recirculation performance kit (3/3)

ZDRPK

Everything included



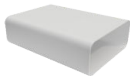
Connector | Top 90°

ZD20110



Duct | 0.5 meter

ZD20004



Duct | 1 meter

ZD20002



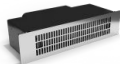
Filter connector

ZD20048



Connector | Bottom 90°

ZD20113



Plinth Filter Cassette

ZD31057



Insulation tape | 10m

ZD35060



Active carbon filter

ZD45060

Carbon Filter Replacement

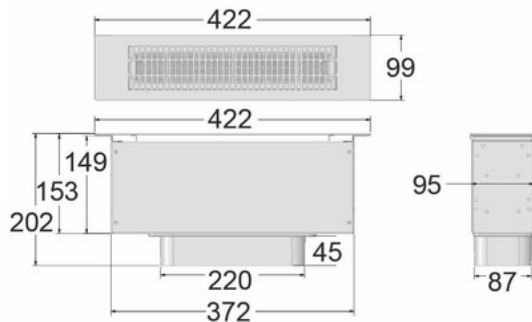
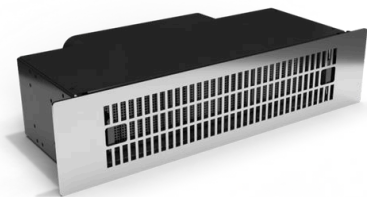


Active Carbon Filter

ZD45060

Installation details (2/3)

The plinth filter cassette with carbon filter can be used in any kitchen with a plinth height of 100 mm or more.





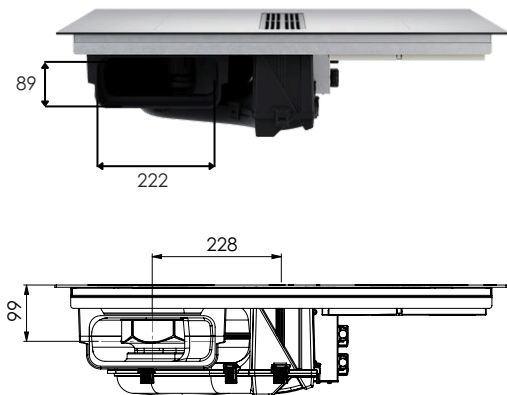
Extraction

The cleanest solution with the best airflow and no maintenance.

How extraction works (1/3)

Air is drawn from the hob and guided outside through ducts. Select the duct parts that match your kitchen layout, connect them, and finish with the right grille for your wall type.

Hob



Ducts



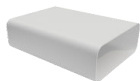
Grilles



Selection of ducts ^(2/3)

Ducts slide into connectors, which join them together and change direction. The ZD20002 and ZD20004 ducts can easily be cut to length with a box cutter.

Ducts



Duct | 1 meter

ZD20002



Flexible duct | 0.5 meter

ZD20103



Duct | 0.5 meter

ZD20004



Flexible duct | 0.24 meter

ZD20024

Connectors



Connector | Top 90°

ZD20110



Connector | Bottom 90°

ZD20113



Connector | Horizontal 90°

ZD20055



Connector | Vertical 90°

ZD20060

Accessories



Duct connector

ZD20025



Insulation tape | 10m

ZD23060



Exterior vent grille

ZD31057

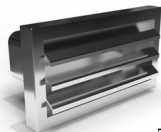


Through-wall vent grille

ZD37136

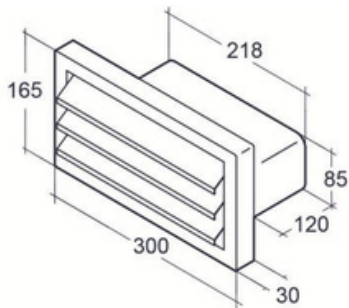
Exterior grilles (3/3)

Both grilles have backdraft dampers that prevent outside air from flowing back in. Use the through-wall grille for installations in thick walls.



Exterior vent grille

ZD31059

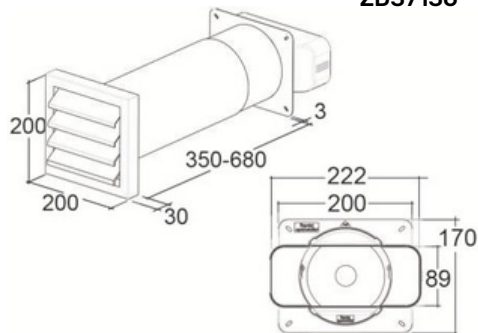


Connects directly to ducts without connector piece.



Through-wall vent grille

ZD37136



Connects using a connector piece.