

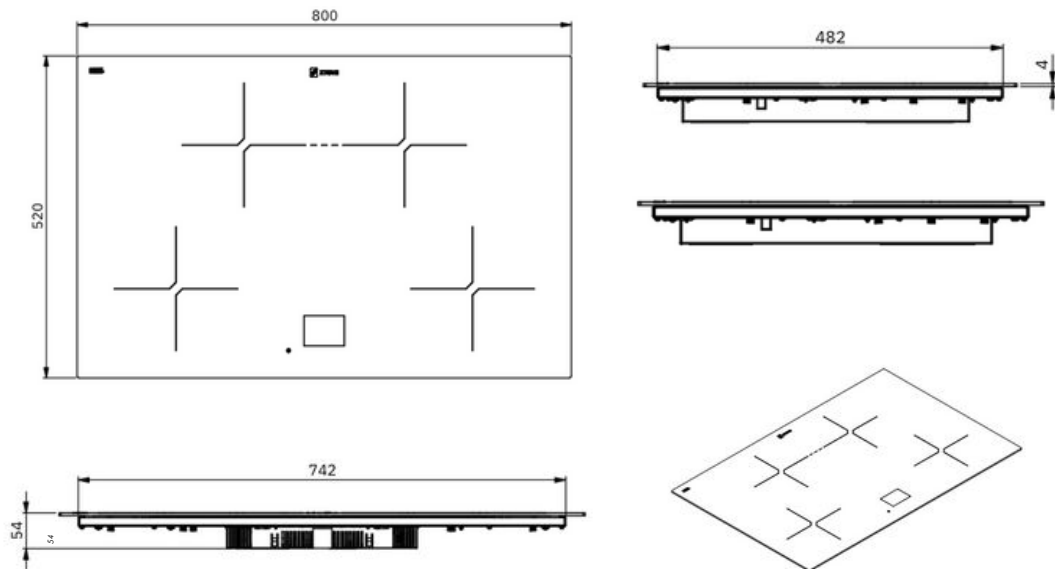


Installation manual for Ztove 80

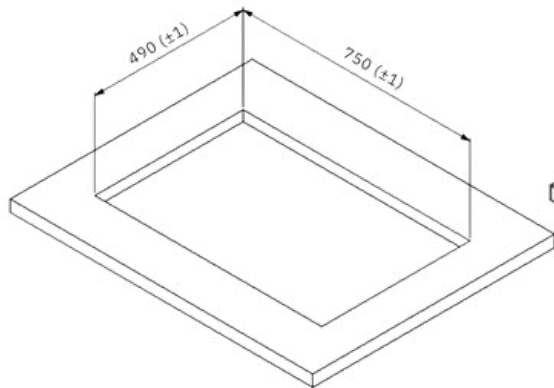
ZIG80401

Questions? Reach out to info@ztove.com.

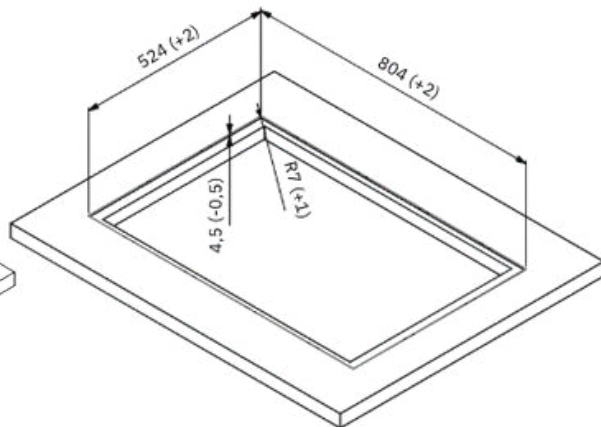
Hob dimensions (mm)



Cutout dimensions (mm, tolerance in brackets)



Standard mounting



Flush mounting